

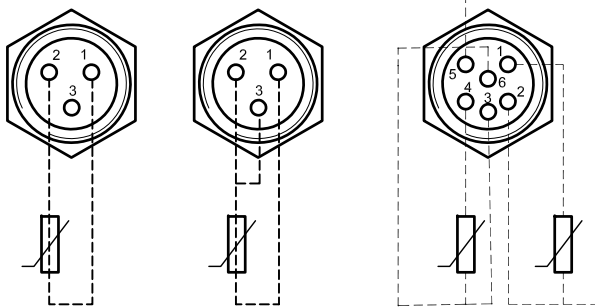
SINGLE ELEMENTS

2-wire

3-wire

DOUBLE ELEMENTS

3-wire



SEEN FROM X

REMARKS

1. Material, sensor: AISI304
2. Protection grade: IP56
3. Weight: 175g (MN3532-125-)

ORDERING EXAMPLE: MN3532 T200 U

Mechanical design \_\_\_\_\_  
 3-wire connection \_\_\_\_\_  
 L in mm \_\_\_\_\_  
 Pt100 element \_\_\_\_\_

LETTER NO.1	EXPLANATION
D	Double element, 2-wire
E	Double element, 3-wire
S	Single element, 2-wire
T	Single element, 3-wire

LETTER NO.2	ELEMENT TYPE	RANGE
M	Pt1000ohm/0 °C	-50 to 150 °C
U	Pt100 ohm/0 °C	-50 to 150 °C

KONGSBERG ART.	NSDF CODE
MN3532T85U	MBT

Date 1993-08-02	Dsgn/Dwn AJK	Trac	Scale/Format 1:1
Checked OLY	Spec Ctrl.	Approved JSK	



**Kongsberg Maritime AS**  
Automation  
Trondheim

Repl. for	Repl. by	Next sheet
-----------	----------	------------

Dwg no. <b>MN-3532</b>	Sh.no.	Rev. Lang. <b>A</b>
---------------------------	--------	------------------------

Temperature sensor type MN3532-  
  
**DIMENSIONAL SKETCH**

A	Rev.	Description	Date/Sign.