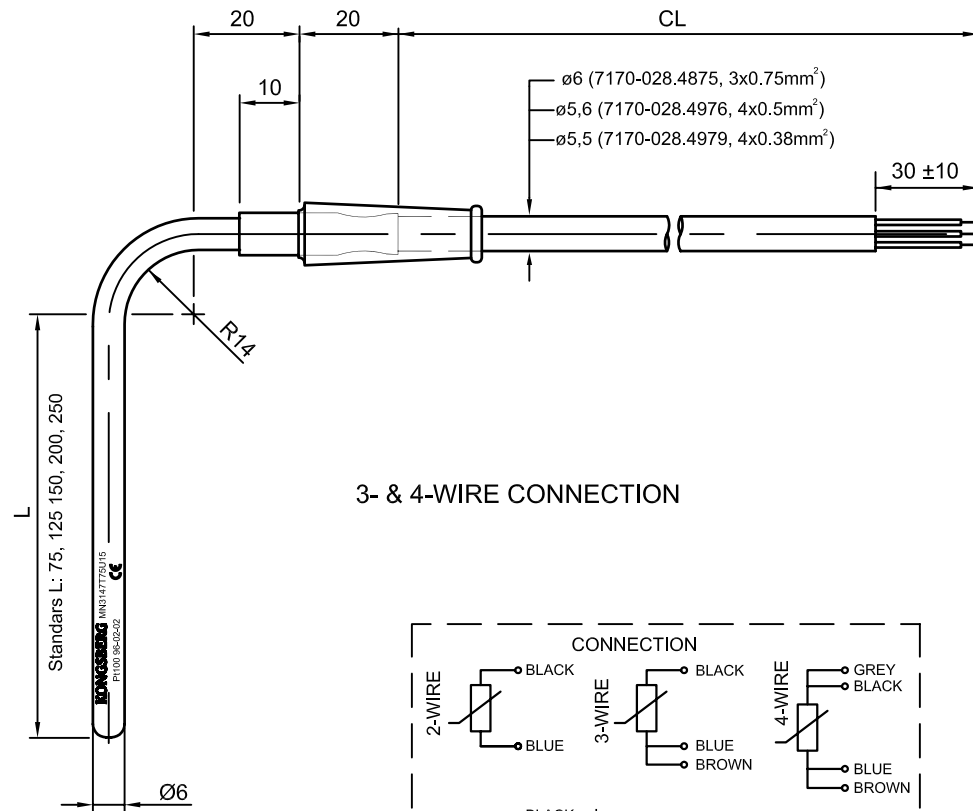


2-WIRE CONNECTION



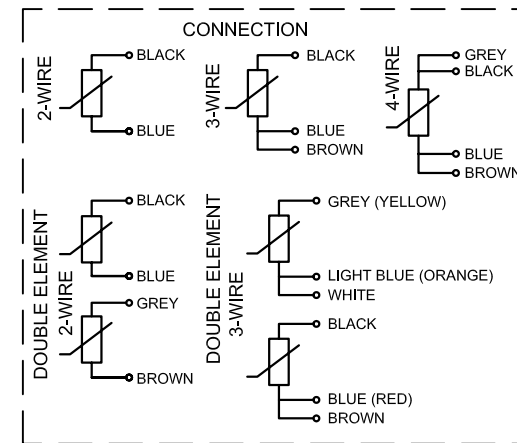
3- & 4-WIRE CONNECTION

ORDERING EXAMPLE: MN3147S75U15

Mechanical design ————  
 Single element (letter 1) ————  
 Sensor length, L [mm] ————  
 Element type Pt100 (letter 2) ————  
 Cable length, CL [dm] ————

REMARKS.

1. Material, sensor pipe: AISI316
2. Protection grade: IP67
3. Weight, MN3147S75U15: 85gram
4. Temp. range sensor: -50° to 200°C.
5. Temp. range cable: -65° to 155°C.
6. Classification approvals:  
 LRS, DNV, GL, RINA, ABS, BV, MRS



LETTER NO.1	EXPLANATION
A	Single element, 4-wire, class A
D	Double element, 2x2-wire
F	Single element, 4-wire
N	Single element, 4-wire, B/3
S	Single element, 2-wire
T	Single element, 3-wire
E	Double element, 2x3-wire

LETTER NO.2	ELEMENT TYPE	RANGE
M	Pt1000 ohm/0°C	-50 to 200°C
U	Pt100 ohm/0°C	-50 to 200°C

Date 90-08-28	Dsgn/Dwn AJK/KJA	Trac	Scale/Format 1:1 [A3]
Checked OLy	Spec Ctrl.	Approved AJK	

Temperature sensor MN3147-

DIMENSIONAL SKETCH

MN-3937  
  
 Kongsberg Maritime AS  
 Automation  
 Trondheim

Repl. for	Repl. by	Next sheet
Dwg no. MN-3147	Sh.no.	Rev. Lang. G

F	IP56>IP67 981105 AJK/MaV	A3=div.rem.+conn.dia. 960205, BSW/AJK	Rev.
E	Kabel 7170-028.4976 inn. 960312, BSW	E-type in. 040105, MaV/AJK	Rev.
D		Description Date/Sign.	Rev.