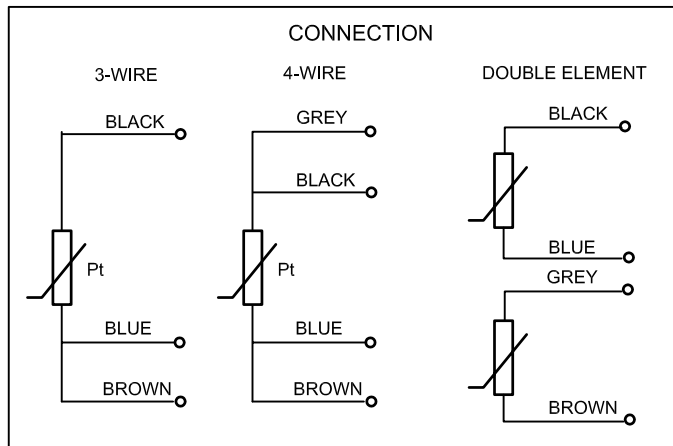
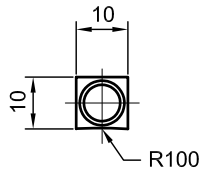
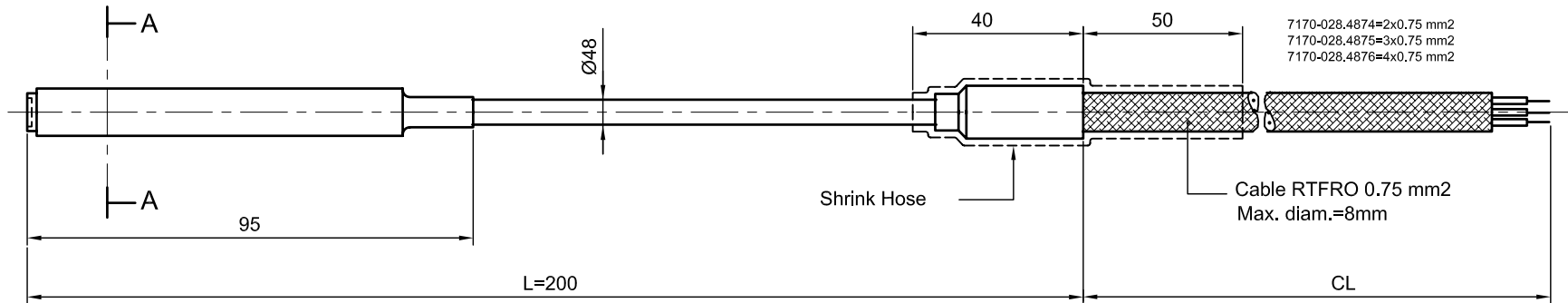


All rights reserved. Specifications subject to change without notice.




ORDERING EXAMPLE: **MN3085 T 200 U 120**

Mechanical design
 4-wire connection
 L=200 mm
 Pt100ohm/°C
 CL= 120 decimeter

Element type: Pt100
 Temperature range, sensor: -200-600 °C
 Temperature range, cable: -60-200 °C
 Material, sensor: AISI316
 Material, cable: RTFRO 155 °C
 Protection grade: IP67

B	Shrink hose fitted, 94-10-10, BSW/			
A	Revised, 91-03-06, E.S/AJK			
Rev.	Description Date/Sign.	Rev.	Description Date/Sign.	

Date 94-10-10	Dsgn/Dwn AJK/ELS	Trac BSw	Scale/Format 1:1
Checked	Spec Ctrf.	Approved SJU	

 **Kongsberg Maritime AS**
 Automation
 Trondheim

Temperature sensor type MN3085-

Repl. for	Repl. by	Next sheet
Dwg no. MN-3085	Sh.no.	Rev. Lang. B

DIMENSIONAL SKETCH

0449