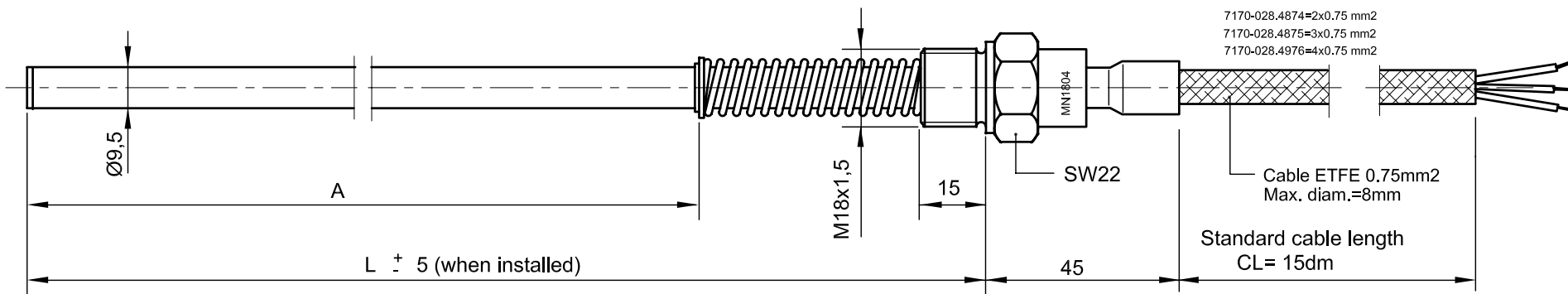


All rights reserved. Specifications subject to change without notice.



ORDERING EXAMPLE:

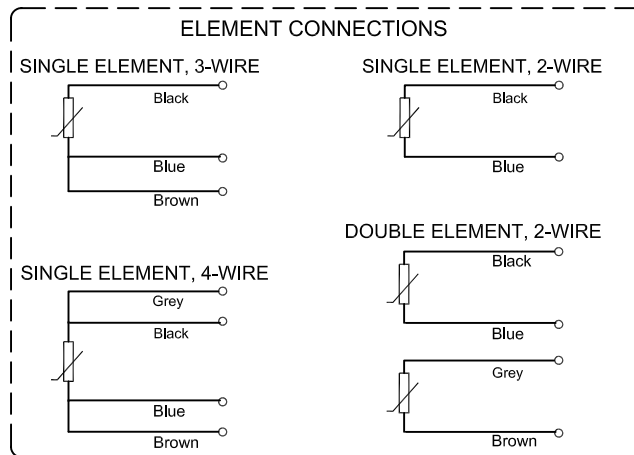
MN1804 S 235 U 15

Mechanical design
 Single element (Letter no.1)
 Length of temp. sensor in mm
 Element type Pt100 (Letter no.2)
 (CL) Cable length in decimeter

ENGINE	A	L
SULZER ZAL40/48 & ZAL40S	170	235
SULZER ZV40/48	205	270
SULZER ZAV40/48 & ZAV40S	200	265

LETTER NO.1	EXPLANATION
D	Double element, 2-wire
S	Single element, 2-wire
T	Single element, 3-wire
F	Single element, 4-wire

LETTER NO.2	ELEMENT TYPE	RANGE
U	Pt100 Ohm/0°C	-50 to 150°C



S.tegn.MN-2423

E	A increase 3 950817AJJK	G	Letter V out. 030707, VRa/AJK		
	D		Omtægnet 901024S.R./AJK	F	4876>4976, 960425, AJK/
Rev.	Description	Date/Sign.	Rev.	Description	Date/Sign.

Date	Dsgn/Dwn	Trac	Scale/Format
1990-10-24	AK/SR		1:1
Checked	Spec Ctrf.	Approved	
JS		AK	



Kongsberg Maritime AS
 Automation
 Trondheim

Temperature sensor type MN1804--

DIMENSIONAL SKETCH

Repl. for	Repl. by	Next sheet
Dwg no.	Sh.no.	Rev. Lang.
MN-1804		G

0449