

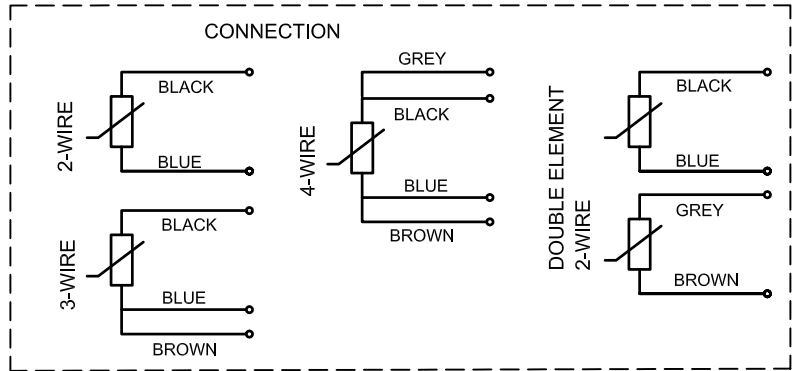
Cable RTFRO
 7170-028.4874 2x0.75 D=5.5
 7170-028.4875 3x0.75 D=6
 7170-028.4976 4x0.5 D=5.6

REMARKS.

1. Material, sensor pipe: AISI 304
2. Protection grade: IP67
3. Weight, MN1600SU15: 100gram
4. For connection, see dwg. GM-013

ORDERING EXAMPLE: MN1600 SU15

Mechanical design _____
 Single element(Letter no. 1) _____
 Element type Pt100(Letter no. 2) _____
 Cable length, CL [dm] _____



LETTER NO. 1	EXPLANATION
S	Single element, 2-wire
T	3-wire connection
N	4-wire connection, 1/3 DIN
F	4-wire connection

LETTER NO. 2	ELEMENT TYPE	RANGE
M	Pt1000 ohm/0°C	-50 to 150°C
U	Pt100 ohm/0°C	-50 to 150°C

MN-1601

Date 1991-11-27	Dsgn/Dwn AJK	Trac RT	Scale/Format 1:1 [A4]
Checked SJR	Spec Ctrl.	Approved AJK	

Kongsberg Maritime AS
Automation
Trondheim

Repl. for	Repl. by	Next sheet
Dwg no. MN-1600	Sh.no.	Rev. J Lang.

Temperature sensor type MN1600-
DIMENSIONAL SKETCH

G	N in, 4-core cable in 970529 BS w/	F	Dim. 10->7, 15->21 930802 SJR/AJK
Rev.	Description Date/Sign.	Rev.	Description Date/Sign.
J	R10>R20 040319 AJK/MaV	H	Letter V out, 030818, YRa/