

REMARKS

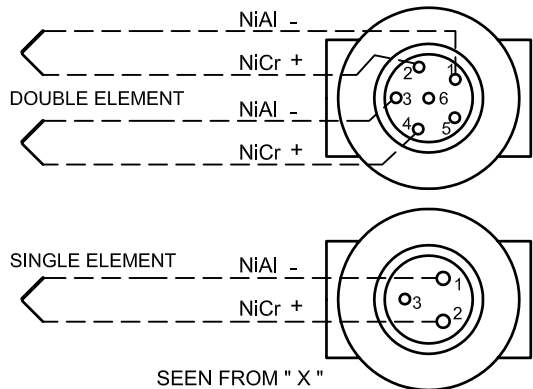
1. Material, sensor pipe: AISI304
2. Material, comp cable: PFA -60 - 260°C
3. Protecting grade: IP67
4. Max. temp., plug connector: 100°C
5. Weight with 15 dm cable: 200 gram.
6. Plug type : JAEGER

LETTER NO.1	EXPLANATION
D	Double element
S	Single element

LETTER NO.2	ELEMENT TYPE	RANGE
J	Fe-CuNi	0-600°C
K	NiCr-NiAl	0-800°C

ORDERING EXAMPLE: MB747 S 100K 15

Mechanical design
 Single element (letter no.1)
 Length of temp.sensor (L), in mm
 Element type (letter no.2)
 Cable length (CL) in dm



B	Korrigert, 030520, VRa/MaV	Description	Date/Sign.
A	200>250°C 990317 AJK/MaV	Rev.	

Date 91-04-12	Dsgn/Dwn AJK	Trac O.Ly.	Scale/Format 1:1
Checked J.Sk.	Spec Ctrl.	Approved AJK	

Kongsberg Maritime AS
Automation
Trondheim

Temperature sensor type MB747-
for exhaust gas etc.

DIMENSIONAL SKETCH

Repl. for	Repl. by	Next sheet
Dwg no. MB-747	Sh.no.	Rev., Lang. B