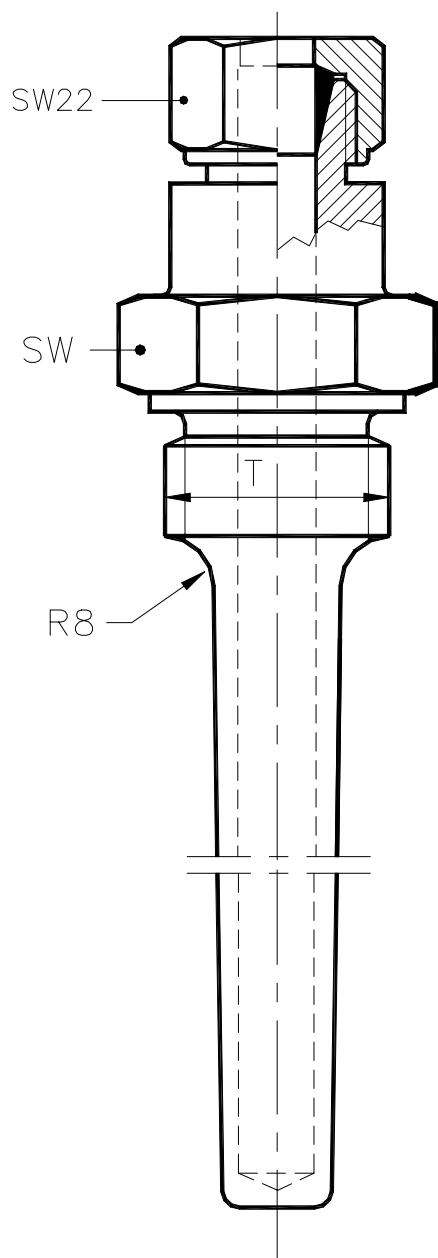




# MN2651-

KONGSBERG

## Protection Well



THREADS	CODE	SW
ISO228-G3/8A	B38	22
ISO228-G1/2A	B12	27
ISO228-G3/4A	B34	32
ISO228-G1/1A	B11	36
M18x1,5	M18	24
M22x1,5	M22	27
M27x2	M27	32
M33x2	M33	38

ORDERING EXAMPLE: MN2651-75B12

Mechanical design ————  
 Insertion length, Lw [mm] ————  
 Threads (T=ISO228-G1/2A) ————

Based on dwg. no.: MN-2651

KONGSBERG MARITIME AS

NO-7005 Trondheim Norway km.sales@kongsberg.com

Telephone: +47 73 58 10 00 Telefax: +47 73 58 10 01 [www.km.kongsberg.com](http://www.km.kongsberg.com)



KONGSBERG

P-MN2651/CE 2004-11-23