



KONGSBERG

MN1995

Temperature Sensor

Description

Application and general description

The MN1995 Temperature Sensor is especially designed for installation on open decks. The sensor can be used to measure cargo line temperature. A MN2380 Protection Well is provided with the sensor.

The length of the sensor must be 25 mm longer than the length of the protection well.

The connection cable diameter must be between 8 and 14 mm.



Technical Specifications

The MN1995 Temperature Sensor

Element type: Platinum Pt100 or Pt1000
 Element standard: IEC 751
 Ranges: See order example
 Dimensions: Contact Kongsberg Maritime
 Weight: 950 g (L = 175 mm)
 Material: AISI 316
 Connections: 2-, 3- or 4-wire
 Sensor diameter: 12 mm
 Connection cable size: 8 to 14 mm
 Standard lengths (L): 100, 125, 175 or 225 mm
 Protection grade: IP67

The MN2380 Protection Well

Weight: 250 g (L = 150 mm)
 Material: AISI 316 (SS2343)
 Threads: ISO228-G1/2 or ISO228-G3/4
 Dimensions: Contact Kongsberg Maritime
 Standard lengths (L): 75, 100, 150 or 200 mm

Order example: MN1995 S 100 U

Mechanical design _____
 Single element (Letter no.1) _____
 L = 100 mm _____
 Pt100Ω/0°C (Letter no. 2) _____

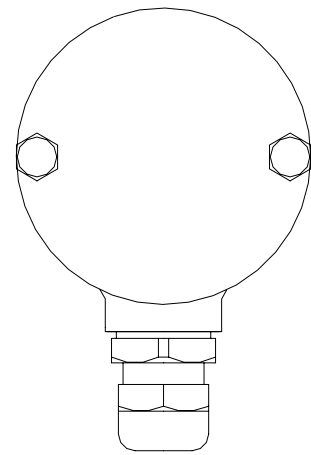
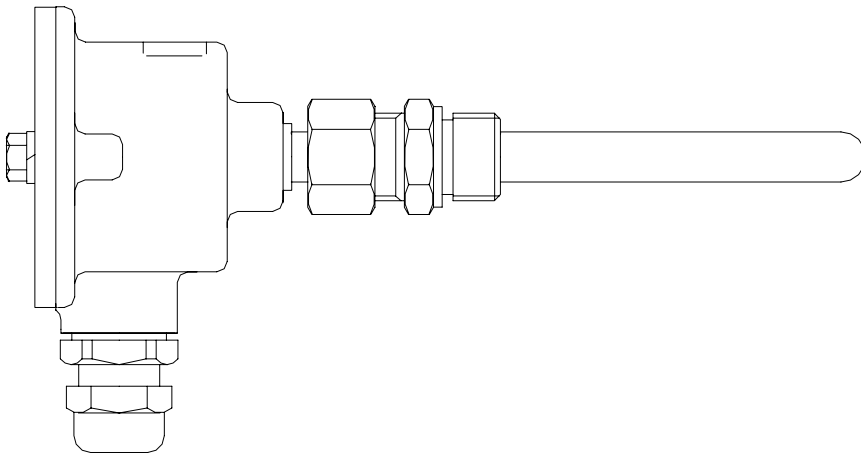
Order example: MN2380-100 B12

Mechanical design _____
 L in mm _____
 Threads ISO228-G1/2 _____
 Threads T: ISO228-G1/2 = B12
 T: ISO228-G3/4 = B34

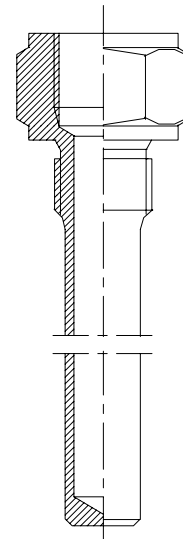
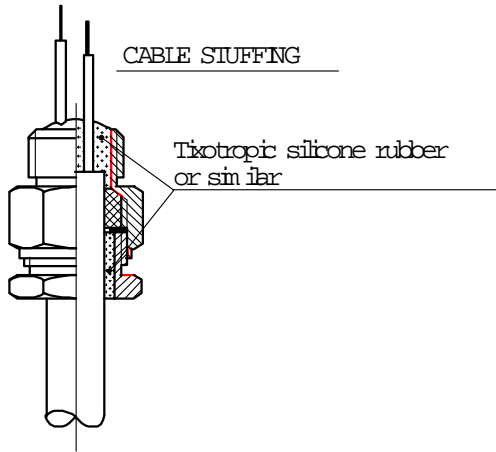
Letter no. 1	Explanation
D	Double element
S	Single element, 2-wire
T	3-wire connection
F	4-wire connection
N	4-wire connection 1/3 DIN

Letter no. 2	Element	Range
M	Pt1000Ω/0 °C	-200 to 400 °C
U	Pt100Ω/0 °C	-200 to 600 °C

Drawings



Based on dwg. no. MN-1995



Based on dwg. no. MN-2380

