

**REMARKS:**

- 1 Material, sensor pipe: ..... AISI 304
- 2 Cable length:..... 5 m
- 3 Protection grade:..... IP 66

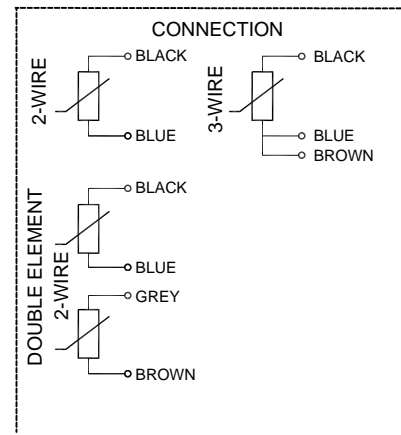
**ORDERING EXAMPLE:**

MN4008 SU50

Mechanical design  
 Single element (Letter no.1)  
 Element type Pt100 (letter no.2)  
 Cable length, CL, [dm]

Letter no.1	Explanation
D	Double element
S	Single element
T	3-wire connection

Letter no.2	Element type	Range
U	Pt100 Ohm/0 °C	-50 to 120 °C



ANM. :

- 1. Kopier slik at mål 620 blir riktig
- 2. Følerort type MN-1231/ L=650mm

B	Feilplate UM-029 inn 011120, VPaMaV	C	Letter V out, 030707, VPaMaK
A	670-620, 010813, MaMaK		
Rev.	Description Date/Sign.	Rev.	Description Date/Sign.

Date 1998.08.19	Design SJR	Trace	Scale/Format 1:1 A1	 Kongsberg Maritime AS Automation Trondheim
Checked AJK	Spec. Chk.	Approved MeV		
Temperature sensor type MN4008— Main bearing aft end, MAN B&W 7-S S60MC-C DIMENSIONAL SKETCH				Repl. for Repl. by Next sheet Draw. no. Sh. no. Rev. Lang. MN-4008   C