

ORDERING EXAMPLE: MN3612SU15

Mechanical design _____
 Single element (Letter no.1) _____
 Pt100 (Letter no.2) _____
 CL in decimeter _____

LONGITUDINAL TINNED COPPER BRAID
 COVERING MIN. 85%

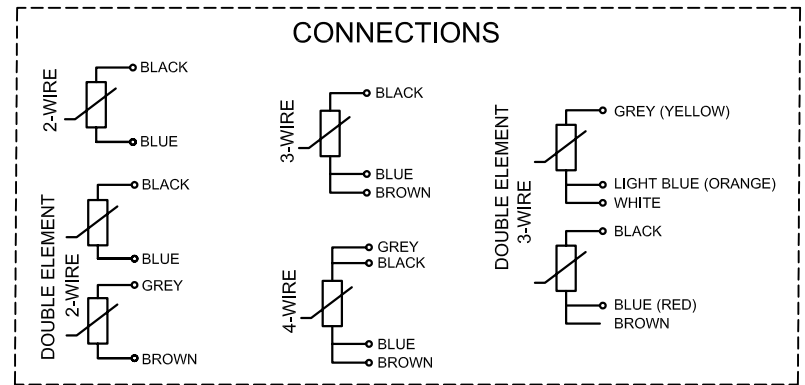


REMARKS

1. Material, sensor tip: Brass
2. Max. temp., cable: 150°C
3. Max. temp., sensor tip: 200°C
4. Protection grade: IP56
5. Weight (MN3612SU15): 130 gram
6. Bayonet plug type MN-2119 can be used for mounting the sensor Has to be ordered separately.

LETTER NO.1	EXPLANATION
S	Single element, 2-wire
T	Single element, 3-wire
F	Single element, 4-wire
D	Double element, 2-wire
E	Double element, 3-wire

LETTER NO.2	ELEMENT TYPE	RANGE
M	Pt1000 ohm/0°C	-50 to 200°C
U	Pt100 ohm/0°C	-50 to 200°C



B	Rev.	3-wire in. 040922, MaV/	4-wire in 980213 AJK/B.Sw.
E	Rev.	Description Date/Sign.	Double el.in 970915 AJK/
D	Rev.	Description Date/Sign.	
C	Rev.	Description Date/Sign.	

Date 1994-05-12	Dsgn/Dwn AJK	Trac	Scale/Format 1:1
Checked JSK	Spec.Ctr.	Approved ELS	

 Kongsberg Maritime AS
Automation
Trondheim

Temperature sensor type MN3612-
DIMENSIONAL SKETCH

Repl. for	Repl. by	Next sheet
Dwg no. MN-3612	Sh.no.	Rev. Lang. E