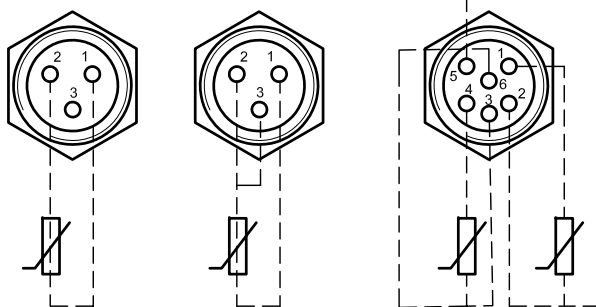


REMARKS.

1. Material, sensor: AISI 316
2. Protection grade: IP55

SINGLE ELEMENTS DOUBLE ELEMENTS
 2-wire 3-wire 3-wire



SEEN FROM X

ORDERING EXAMPLE: MN3407 T 30 U

Mechanical design _____
 3-wire connection _____
 L in mm _____
 Pt100 element _____

LETTER NO.1	EXPLANATION
D	Double element, 2-wire
E	Double element, 3-wire
N	Single elem., 4-wire B/3
S	Single element, 2-wire
T	Single element, 3-wire

LETTER NO.2	ELEMENT TYPE	RANGE
M	Pt100ohm/0°C	-50 to 120°C
U	Pt100 ohm/0°C	-50 to 120°C

UR-353

Date 1992-07-02	Dsgn/Dwn AK/ES	Trac	Scale/Format 1:1
Checked AK	Spec Ctrl.	Approved JS	

Kongsberg Maritime AS
Automation
Trondheim

Repl. for	Repl. by	Next sheet
Dwg no. MN-3407	Sh.no.	Rev. Lang. C

Temperature sensor type MN3407-

DIMENSIONAL SKETCH

B	Kon inn 930923 AK/E.S.	Rev.	
A	ø6 10.11.92 S.R./A.K.	Description	Date/Sign.
C	Redesign, 95-06-15, BS w/	Rev.	Date/Sign.