

Letter V out, 030707, VRa/AJK	Letter V out, 030707, VRa/AJK
A3+rem.4.5.6+com.960205.BSw/	A3+rem.4.5.6+com.960205.BSw/
Rev.	Description Date/Sign.
D	
C	
Rev.	Description Date/Sign.
B	Range 150° to 200°C, 95-03-07, ELS/AJK
A	20° > 150°C, 95-03-01, BSw/AJK
Rev.	Description Date/Sign.

ORDERING EXAMPLE: MN3364 S100 U15

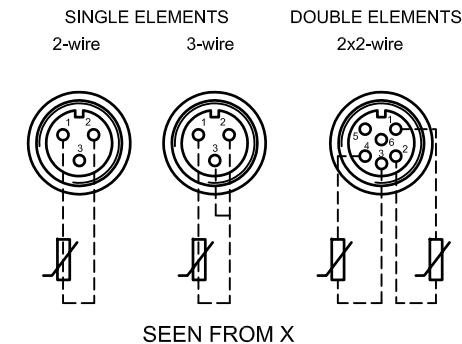
Mechanical design
 Single element (letter 1)
 Sensor length, L [mm]
 Element type Pt100 (letter 2)
 Cable length, CL [dm]

LETTER NO.1	EXPLANATION
A	Single element, 4-wire, class A
D	Double element, 2x2-wire
F	Single element, 4-wire
N	Single element, 4-wire, B/3
S	Single element, 2-wire
T	Single element, 3-wire

LETTER NO.2	ELEMENT TYPE	RANGE
M	Pt1000 ohm/0°C	-50 to 200°C
U	Pt100 ohm/0°C	-50 to 200°C

REMARKS.

1. Material, sensor pipe: AISI304.
2. Protection grade: IP56.
3. Weight, MN3364S100U15: 200gram.
4. Temp. range sensor: -50° to 200°C.
5. Temp. range cable: -65° to 155°C.
6. Classification approvals:
LRS, DNV, GL, RINA, ABS, BV, MRS.



Date 1992-02-10	Dsgn/Dwn AJK	Trac	Scale/Format 1:1 [A3]	Kongsberg Maritime AS Automation Trondheim
Checked JS	Spec Ctrl.	Approved OLy		
Temperature sensor type MN3364--				Repl. for Repl. by Next sheet
DIMENSIONAL SKETCH				Dwg. no. MN-3364
				Sh.no. Rev. Lang. D