

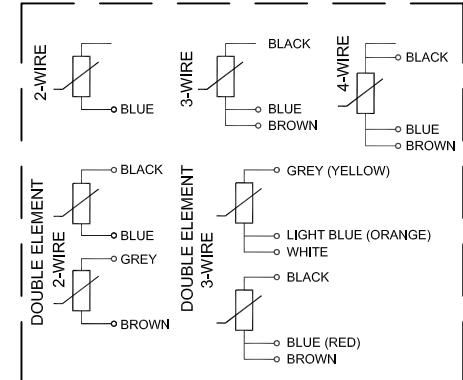
Material, sensor pipe: AISI 304
 Protection grade : IP67
 Weight (MN3337S100U15): 200g

ORDERING EXAMPLE: **MN3337 S100 U 15**

Mechanical design
 Single element(Letter no. 1)
 Length of temp.sensor (L),in mm
 Element type Pt100(Letter no. 2)
 Cable length (CL) in dm

LETTER NO. 1	EXPLANATION
S	Single element, 2-wire
T	3-wire connection
F	4-wire connection

LETTER NO. 2	ELEMENT TYPE	RANGE
M	Pt1000ohm/0 °C	-50 to 150 °C
U	Pt100 ohm/0 °C	-50 to 150 °C



Date 15-11-91	Dsgn/Dwn AJK/RT	Trac	Scale/Format 1:1 [A3]
Checked JS	Spec Ctrf.	Approved AJK	



Kongsberg Maritime AS
 Automation
 Trondheim

Temperature sensor type MN3337-

DIMENSIONAL SKETCH

Repl. for	Repl. by	Next sheet
Dwg no. MN-3337	Sh.no. A	Rev. Lang. A

Ny kobl.potte 93-09-23 E.S.

Description Date/Sign.

Rev.

Description Date/Sign.

Rev.

F

E

D

C

B

A

0449