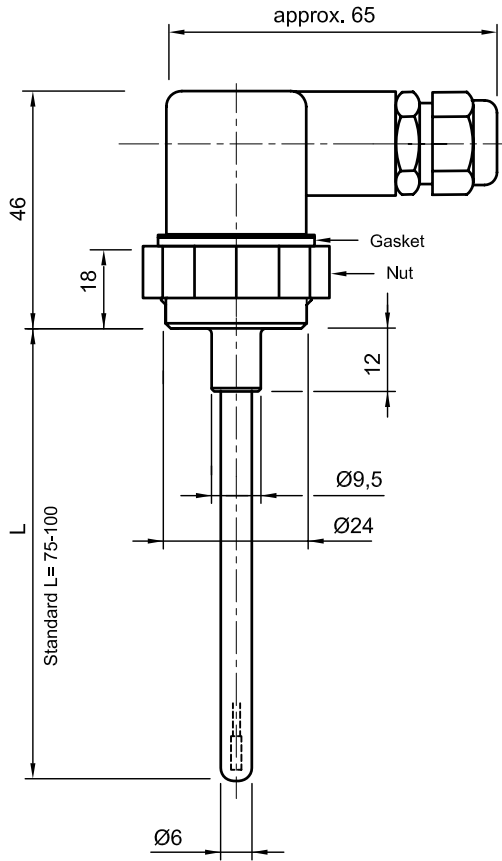
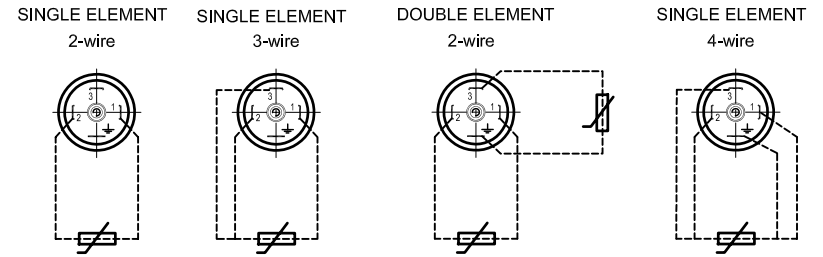


All rights reserved. Specifications subject to change without notice.



Holzmann Syntec SYK9
WD mat.code 0050L319602
Cable diam.: 4-8mm

CONNECTION SEEN FROM
TOP OF MALE PLUG.



ORDERING EXAMPLE: **MN3304 S 75 U**
 Mechanical design _____
 Single element, letter no. 1 _____
 Sensor length, L=75 mm _____
 Element type, Pt100, letter no. 2 _____

B	Rev.	Zone	Description
A	Rev.	Zone	Description
C	Rev.	Zone	Description
Date/Sign.			
New design 001207 AJK/MaV			

AUTRONICA art.	CUSTOMER CODE

REMARKS

1. Material, sensor pipe: AISI304
2. Material, plug: Glass reinforced PA
3. Protection grade: IP65
4. Weight, MN3304-75U: 90 gram.
5. Classification approvals:
LRS, DNV, GL, RINA, ABS, BV, MRS.
6. Max. temp. plug connector: 125°C.

LETTER No.1	EXPLANATION
S	Single element, 2-wire
T	Single element, 3-wire
F	Single element, 4-wire
D	Double element, 2-wire

LETTER No.2	ELEMENT TYPE	RANGE
M	Pt1000 ohm/0°C	-50-200°C
U	Pt100 ohm/0°C	-50-200°C

Date 1994-12-15	Dsgn/Dwn AJK	Trac	Scale/Format 1:1
Checked AJK	Spec Ctr.	Approved BSw	

Kongsberg Maritime AS
Automation
Trondheim

Temperature sensor type MN3304-

Repl. for Repl. by Next sheet

DIMENSIONAL SKETCH

Dwg no. Sh.no. Rev. Lang.

MN-3304 | | **C**