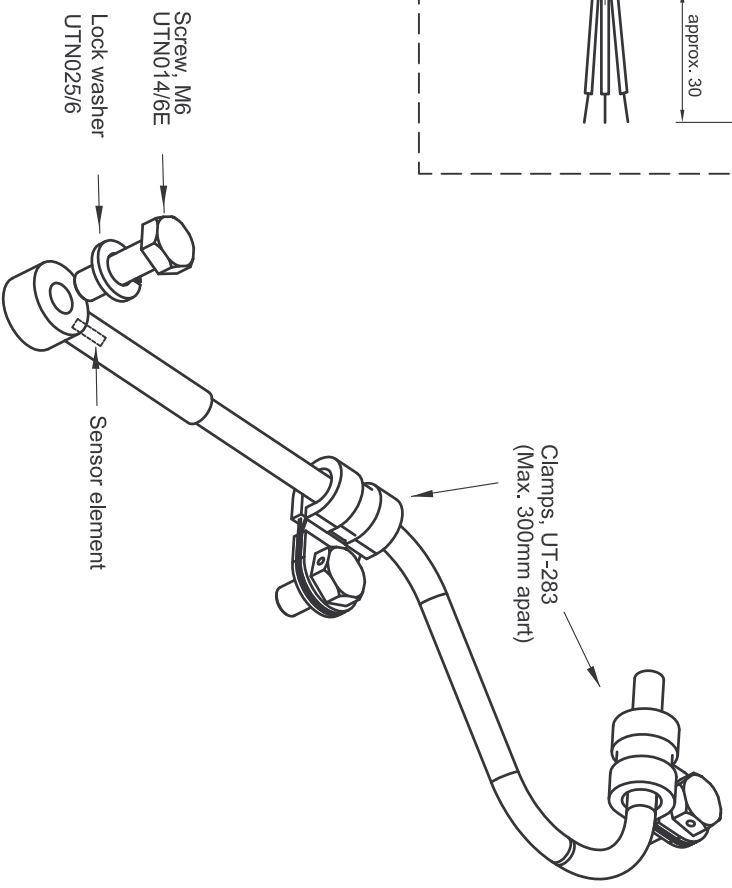


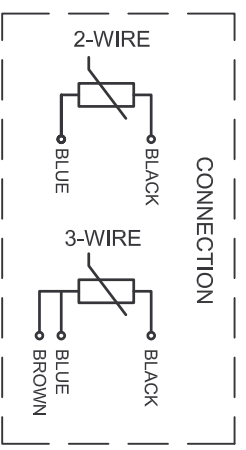
Cable RTFFRO 0,75mm² and 0,5mm²
 7170-028.4874 2x0,75 D=5,5
 7170-028.4875 3x0,75 D=6
 7170-028.4976 4x0,50 D=5,2

MOUNTING EXAMPLE
 NB: Installation material have to be ordered separately.



ORDERING EXAMPLE : MN3238S U15
 Mechanical design _____
 Single element, 2-wire _____
 Pt 100 element _____
 CL=15 decimeter _____

LETTER NO. 1	EXPLANATION	LETTER NO. 2	ELEMENT TYPE	RANGE
S	Single element, 2-wire	M	Pt 1000 ohm/°C	-50 to 150°C
T	Single element, 3-wire	U	Pt 100 ohm/°C	-50 to 150°C



REMARKS
 1 Material, sensor body: AISI 304
 2 Protection grade: IP 55

Rev.	Description	Date/Sign.	Rev.	Description	Date/Sign.
B	New cable in, 030226, MaV/		C	Text in for damp, 050913, MaV/AJK	

Temperature sensor type MN3238-

Date	22/06/93	Dsgn/Dwn	AJK/SJR	Trac		Scale/Format	1:1 [A3]
Checked	JS	Spec Cntl.		Approved	AJK		

DIMENSIONAL SKETCH

Repl. for	Repl. by	Next sheet
Dwg no.	MN-3238	Sh.no.
Rev.	C	Lang.

Kongsberg Maritime AS
 Automation
 Trondheim

MN-3512