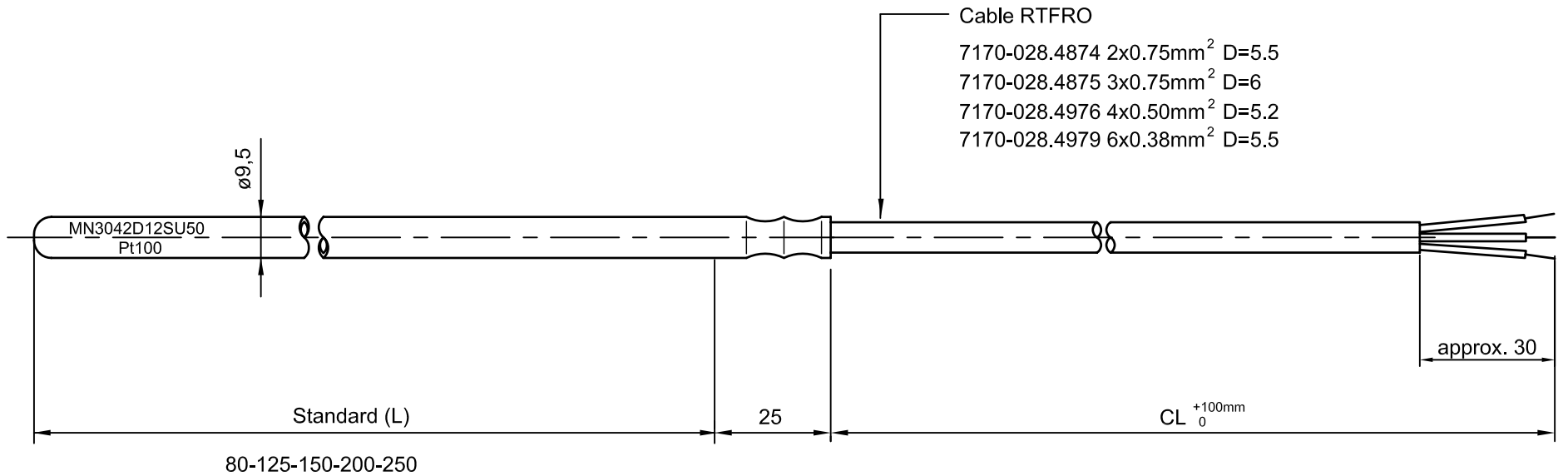
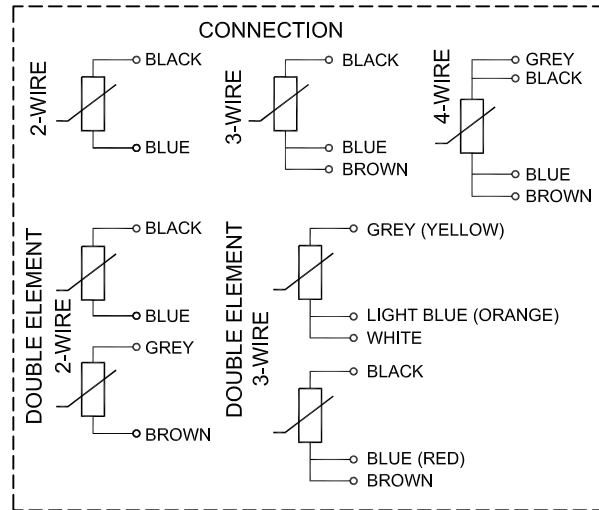


6 5 4 3 2 1



J	0.40 to 0.38, 040105, MaV/AJK	Description Date/Sign.
H	Letter V out, 030704, VRa/AJK	Rev.
G	New 6-wire cable, 020923, MaV/AJK	Description Date/Sign.
F	In: Letter no. 1= E, 98-10-16, MaV/AJK	Rev.



ORDERING EXAMPLE : MN3042S125U50

Mechanical design
Single element (Letter no. 1)
Length, L, of temp.sensor, [mm]
Element type Pt100 (Letter no. 2)
Cable length, CL, [dm]

REMARKS

1. Material, sensor pipe: AISI 304
2. Protection grade : IP67
3. Weight (MN3042S125U15): 250 g

LETTER NO. 1	EXPLANATION
D	Double element
E	Double element, 3-wire
F	4-wire connection
N	4-wire connection B/3
S	Single element, 2-wire
T	3-wire connection

LETTER NO. 2	ELEMENT TYPE	RANGE
C	Ni100	-50 to 150°C
M	Pt1000ohm/0°C	-50 to 150°C
U	Pt100 ohm/0°C	-50 to 150°C

Date 1990-03-13	Dsgn/Dwn AJK/ES	Trac	Scale/Format 1:1 [A3]
Checked SJR	Spec Ctrl.	Approved AJK	



Kongsberg Maritime AS
Automation
Trondheim

Temperature sensor MN3042-

DIMENSIONAL SKETCH

Repl. for	Repl. by	Next sheet
Dwg no. MN-3042	Sh.no.	Rev. Lang. J

8 7 6 5 4 3 2 1

F
E
D
C
B
A
04/19