

Cable RTFRO

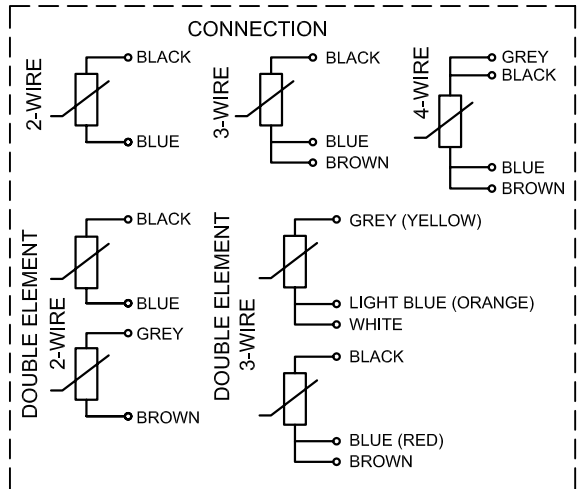
- 7170-028.4874 2x0,75mm² D=5,5
- 7170-028.4875 3x0,75mm² D=6
- 7170-028.4976 4x0,5mm² D=5,6
- 7170-028.4979 6x0,38mm² D=5,5

Remarks:

Material,sensor pipe : AISI 304
 Protection grade : IP67
 Weight (MN2682S125U15) : 250g.

ORDERING EXAMPLE : MN2682S125U15

Mechanical design _____
 Single element(Letter no.1) _____
 Length of temp.sensor (L),in mm _____
 Element type Pt100(Letter no.2) _____
 Cable length (CL) in dm _____




LETTER NO.1	EXPLANATION
D	Double element, 2-wire
F	Single element, 4-wire
N	Single element, 4-wire B/3
S	Single element, 2-wire
T	Single element, 3-wire
E	Double element, 3-wire

LETTER NO.2	ELEMENT TYPE	RANGE
C	Ni100	-50-130 °C
M	Pt1000ohm/0 °C	-50-130 °C
U	Pt100 ohm/0 °C	-50-130 °C

F	E-type in, 040105, MaV/AJK	Description	Date/Sign.
E	Letter V out, 030704, VRa/AJK	Description	Date/Sign.
D	Kabel Ø5,2 -> 5,6, 97-06-27, ELS/BSW	Description	Date/Sign.
C	7170-028.4976 in 970408AJK/ELS	Description	Date/Sign.

Date	Dsgn/Dwn	Trac	Scale/Format
13.01.89	AJK/OL		1:1
Checked	Spec Ctrl.	Approved	
J.S.		AJK	



Kongsberg Maritime AS
Automation
Trondheim

Repl. for	Repl. by	Next sheet
Dwg no.	Sh.no.	Rev. Lang.
MN-2682		F

Temperature sensor type MN2682--
DIMENSIONAL SKETCH