

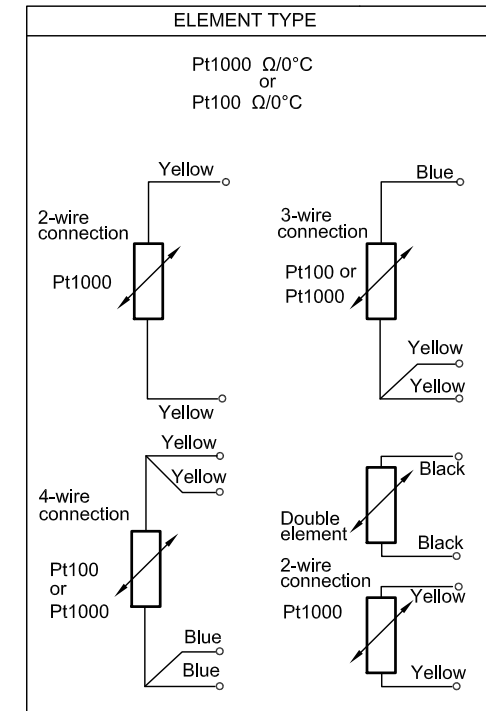
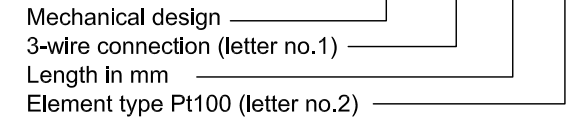
LETTER NO.1	EXPLANATION
A	4-wire connection Pt100 Class A
F	4-wire connection Pt100/Pt1000 Class B
N	4-wire connection Pt100 Class B 1/3 DIN
T	3-wire connection Pt100 Class B
S	Single element 2-wire Pt100/Pt1000 Class B
D	Double element 2-wire Pt1000 Class B

LETTER NO.2	ELEMENT	RANGE
M	Pt1000 Ω/0°C	-196 to 400°C
U	Pt100 Ω/0°C	-100 to 400°C

TECHNICAL DATA

- Element: PT100 Class A and Class B According to IEC 60751 / (ITS90)
- Total temperature range:
Class A: -100°C to 400°C
Class B: -196°C to 400°C
- Tolerances temp. element at 0°C, according to IEC 60751 / (ITS90):
Class A: $\pm (0.15 + 0.002 |t|)$
Class B: $\pm (0.3 + 0.005 |t|)$
Class B 1/3 DIN: $\pm (0.1 + 0.005 |t|)$
- Insulation resistance: >1000 Mohm at 500V DC.
- Temperature range, flexible strand tails: -40 to 80°C.
- Material, sensor: AISI 316L.
- Protection grade, wetted parts: IP68.
- Tighten SW1 with 30Nm. (SW=11mm)
Tighten SW2 with 25Nm. (SW=11mm)

ORDERING EXAMPLE: MN1535 T 12500 U



R	2012-04-19	Changed sensor pipe length from 95 to 90 mm	-	STS	AJS
Q	2012-04-18	Changed sensor pipe from 8 to 6 mm	-	STS	AJS
P	2011-10-17	Changed temp. range for Pt100	BEL	STS	AJS
N	2011-10-05	Changed technical data	BEL	MaV	AJS
M	2010-12-02	Changed color code 'T' & 'D'	STS	-	AJS
L	2010-11-26	Added double element Pt1000	STS	-	AJS
K	2009-03-16	Cable end 200 mm, BU	STS	AJK	SnB
REV.	DATE	DESCRIPTION	Designed by	Checked by	Approved by

<p>Kongsberg Maritime AS Merchant Marine Division Trondheim</p>	<p>Title Temperature sensor with flexible strand tails for oil and gas tanks</p>	Sheet	1 of 1
		Size	A3
<p>Project / Product name</p>		Scale	-
<p>Item number</p>		<p>Drawing type DIMENSIONAL SKETCH</p>	
<p>The reproduction, distribution and utilization of this document as well as the communication of its contents to others without express authorization is prohibited. Offenders will be held liable for the payment of damages. All rights reserved in the event of grant of a patent, utility model or design. © Kongsberg Maritime 2008</p>		Part no.	Revision
<p>MN1535----</p>		Document ID	MN-1535
<p>R</p>		<p>R</p>	