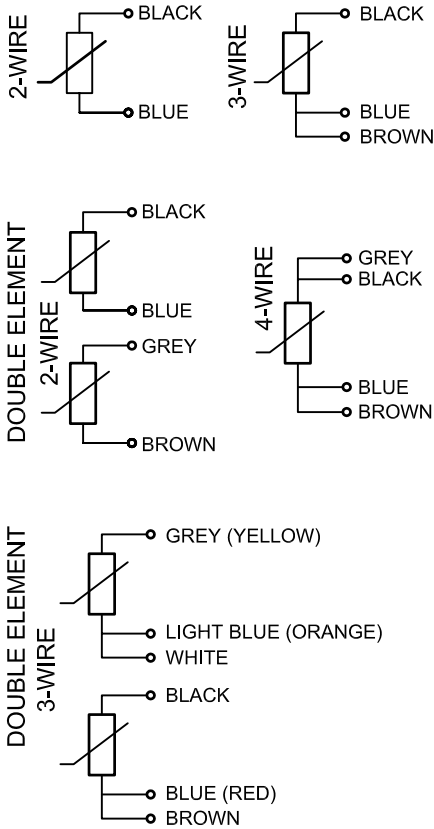


CONNECTION



Material, sensor pipe: AISI304  
 Protection grade: IP67  
 Temperature range: -200 to 600°C

ORDERING EXAMPLE: MB780S100U15

Mechanical design \_\_\_\_\_  
 Single element \_\_\_\_\_  
 L=100 mm \_\_\_\_\_  
 Element Pt100 \_\_\_\_\_  
 Cable length=15 decimeter \_\_\_\_\_

LETTER NO. 1	EXPLANATION
D	Double element
E	Double element, 3-wire
F	4-wire connection
N	4-wire connection B/3
S	Single element, 2-wire
T	3-wire connection

Tables In_030206_MaV/		Description Date/Sign.	
Rev.		Date/Sign.	
Rev.		Date/Sign.	

Date 1992-02-17	Dsgn/Dwn AK/ES	Trac	Scale/Format 1:1 [A4]
Checked	Spec Ctrl.	Approved	

Kongsberg Maritime AS  
Automation  
Trondheim

Repl. for	Repl. by	Next sheet
Dwg no. <b>MB-780</b>	Sh.no.	Rev. Lang. <b>A</b>

Temperature sensor  
type MB780----

DIMENSIONAL SKETCH