

K-THRUST SINGLE LEVER



KONGSBERG



K-THRUST SINGLE PROPULSION/TUNNEL LEVER

K-Thrust control lever for single propulsion or tunnel with integrated or separate display.

Description:

The K-Thrust lever is a thruster control lever with separate or integrated 4.3" touch display.

All operator functions for the thruster can be collected in one device: setpoint, feedback indication, emergency stop, control position indication, start/stop buttons or other project dependant functions.

LEDs on barrel and knob gives operator a rough setpoint indication during night manoeuvring.

Functional options:

- Separate or integrated display
- 0 to 90 degrees rotated barrel
- Detents and force feedback
- Flush or top mount
- 0-100 and -100-0 limitation on thrust

Features:

- Redundant hall sensors (galvanic isolated)
- Redundant CAN net for each sensor
- Redundant power on main sensor, single power for backup
- Integrated el motor
- Configurable electronic detents
- Configurable illegal area with force feedback
- RGB LED on knob and scale
- Emergency stop
- 4.3" touch display w/ambient light sensor
- Internal speaker for audible indications/alarms
- Backup button

TECHNICAL SPECIFICATIONS

Supply voltage

- 2x 18/32 VDC Main (only 405842)
- 1x 18/32 VDC Backup

Weight of unit

- 3.0 kg

Mounting

- 4pcs Top Screws with a nut lock.
- Max. console plate thickness 10mm

Mounting Flush

- 8pcs studs with nut lock. Console plate 5mm± 0.1mm

Isolation

- Power Main/Backup: Isolated/floating from module chassis.
- Backup isolated from Main.
- CAN: Individually isolated
- Emergency Stop: Isolated

Power consumption

nominal: 5W
Max: 60W

IP Code

- IP22

Environment tests

- IACS E10
- IEC 60945

Mechanical environment

- 0.7g

Operational temperature

- -15°C to +70°C

Storage temperature

- -25°C to +70°C

Max relative humidity

- 96% non-condensing

Connections, pluggable

- Power 4 terminals
- CAN bus 4 terminals
- Emergency stop 12 terminals
- Terminals
 - 2.5mm² with ferrules without plastic collar
 - 1.5mm² with ferrules with plastic collar

Communication

- 2CAN ports for communication with Main (only 405842)
- 2CAN ports for communication with Backup
- Display port for communication with separate display (only 416531)

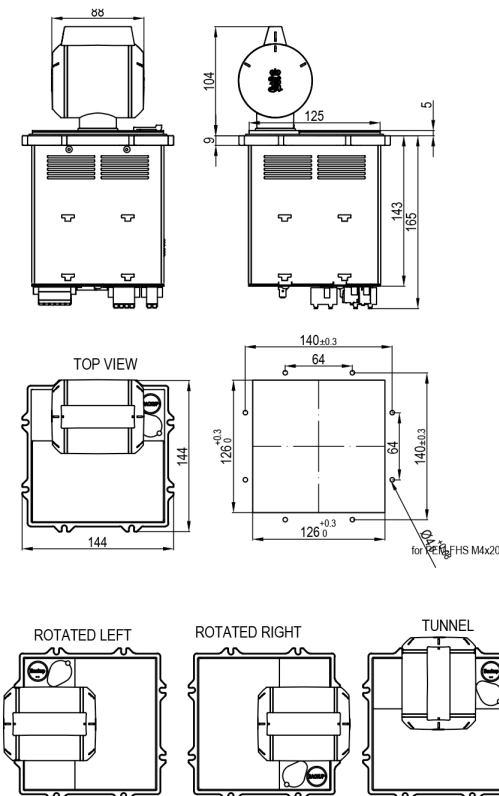
Type Approval

To be established with:
DNV GL, LRS, BV, RINA, NK, ABS, KR, MRS(Russia), CCS(China)

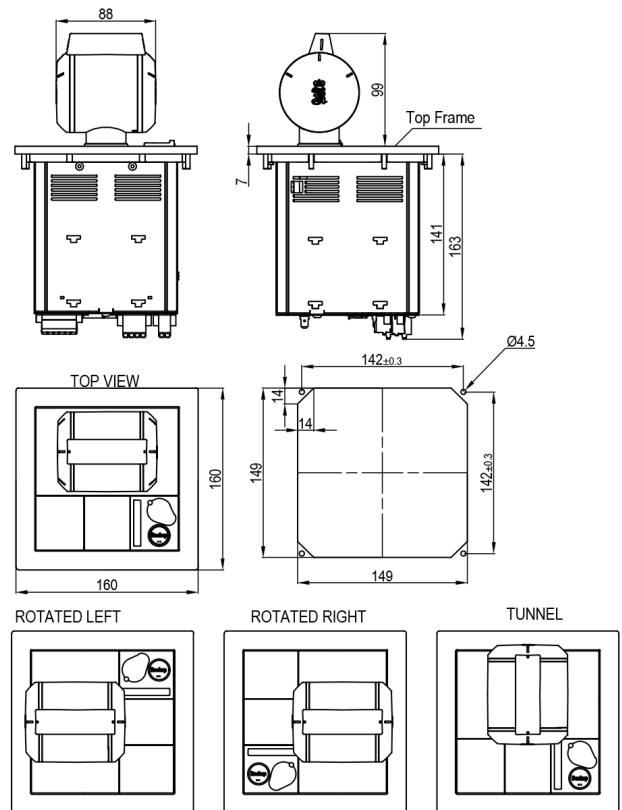
Part number

- 405842 with display(Flush)
- 416531 without display(Top)

Flush mount with display



Top mount without display



KONGSBERG PROPRIETARY. This document and its accompanying elements, contain KONGSBERG information which is proprietary and confidential. Any disclosure, copying, distribution or use is prohibited if not otherwise explicitly agreed with KONGSBERG in writing. Any authorized reproduction, in whole or in part, must include this legend. © 2017 KONGSBERG – All rights reserved. Specifications subject to change without any further notice.

419578 A

